

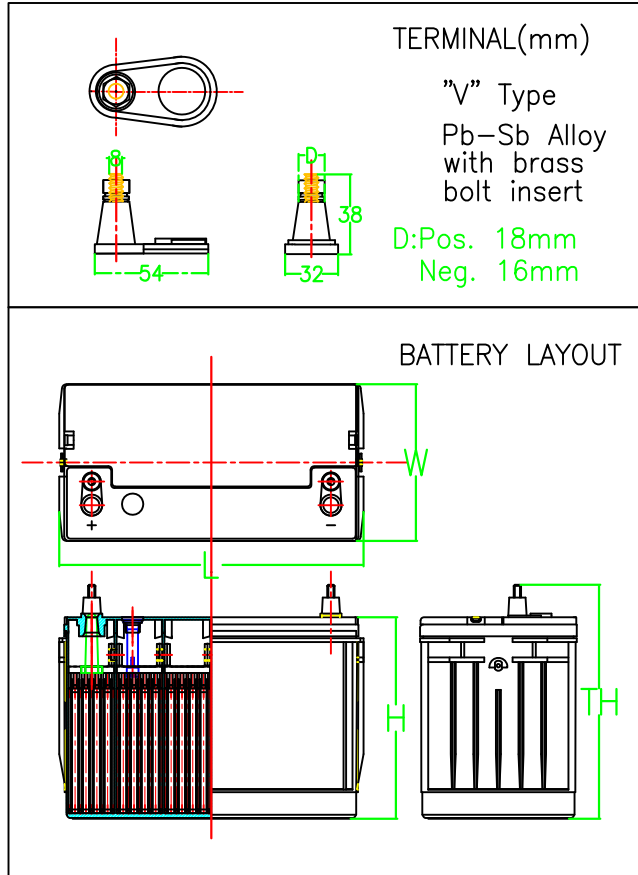
# Tubular Positive Deep Cycle MF Battery



## Sealed Flooded Monoblock Series

### TMF12100 (12V 100Ah/20HR)

FOR SOLAR POWER



Dimensions(mm)	
Length :	404 mm (15.90 inch)
Width :	171 mm (6.73 inch)
Height :	218 mm (8.58 inch)
T. Height :	252 mm (9.92 inch)
Nominal Voltage :	12V
Capacity (5HR) :	80Ah/10.2V
Capacity (20HR) :	100Ah/10.5V
Cycle Use Chrg :	14.8-15.0V, <20A
Standby Use Chrg:	13.50-13.80, <20A
Cell Weight Filled :	30.5 kg
Cell Weight Dry :	25.0 kg
Type of POS Plate :	Tubular Type
Container Material :	PP Resin
Type of Terminal:	Bolt & Nut Type
Size of Terminal :	M8
Life Cycle (50%DOD) :	2000 cycles
Standby Use:	10~12years at 25 °C

CONSTANT CURRENT DISCHARGE/AMPS. TO 10.2V AT 30 °C

Dchg. Time	DURATION OF DISCHARGE									
	15min.	30min.	1hr.	2hr.	3hr.	4hr.	5hr.	8hr.	10hr.	20hr.
Amps.	90.8	72.5	46.7	32.5	24.2	20.0	16.7	11.1	9.25	5.16

